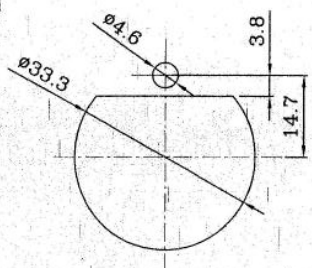
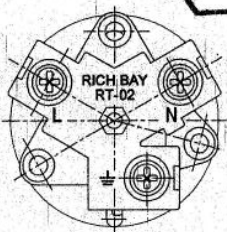
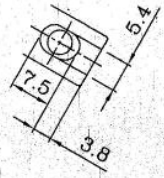
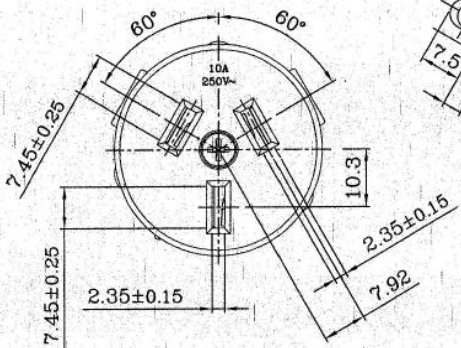
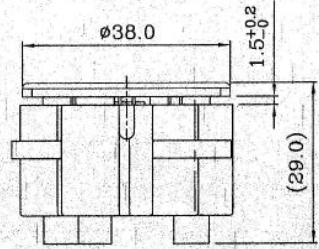


文件管制章
 * 2015.05.22 *
 資料章



PANEL CUT-OUT



AOLITTEL TECHNOLOGY CO., LTD.
 Email: sales1@tsensor.com



SPECIFICATION:

1. INSULATION RESISTANCE: OVER 100M Ω 500V DC.
2. DIELECTRIC STRENGTH: 2000V AC ONE MINUTE.
3. Body Material: PC, Color: White (or Black)

IMPORTANT THIS DRAWING FOR REFERENCE ONLY

	UNIT	UNIT QTY	SCALE	TOLERANCE	K.XX±0.1 XX.XX±0.2 XXX.XX±0.3	PRODUCT NO.	RT-02(B200)	REV
	mm	1	1:1					
DRAWN BY	 2015.05.20 小英	APPROVED BY	 2015.05.20 士凱	ID NO	15052002Q	INTERIM NO.		B
				DESCRIPTION		NEW NO.		